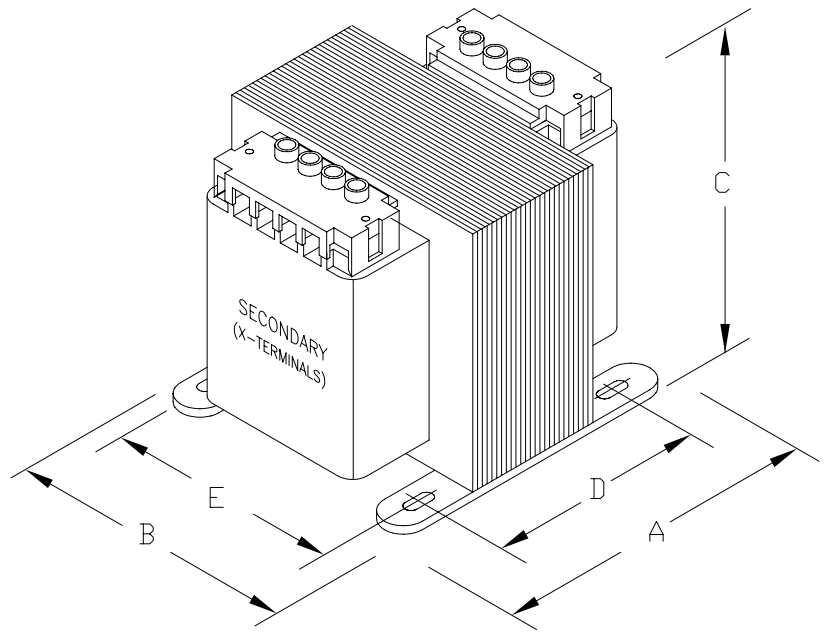


CONNECTION DIAGRAM



PROVIDED WITH SAFE TOUCH TERMINAL COVERS.  
NO INTEGRAL FUSING CAPABILITY.

DIMENSIONS							APPROX. WT. LBS (KG)
	A	B	C	D	E	MTG. SLOTS	
INCHES (MM)	3.62 (92)	3.75 (95)	3.50 (89)	3.00 (76)	3.13 (79)	0.203X0.460 (5.1X11.7)	



CAT.NO. <b>B150-2054-GAF</b>		CONST. <b>ENCAPSULATED</b>				LISTED CERTIFIED IEC 61558
		MODEL <b>GLOBALTRAN</b>				
<b>RATING</b>						
OUTPUT AMPS	6.25	PRIMARY V	380		TEMP. CLASS	HZ 50/60
VA	150	SECONDARY V	24		130°C	REVISION <b>G</b>